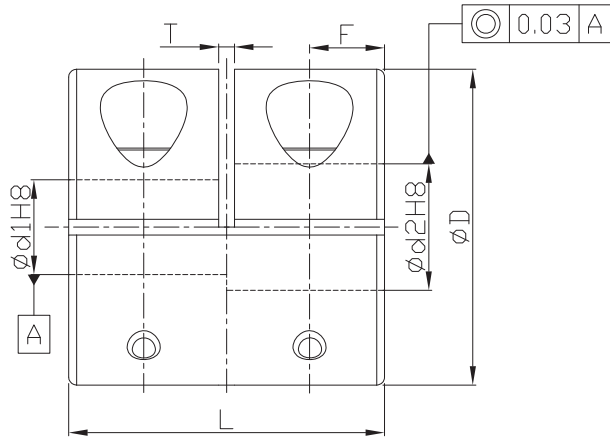


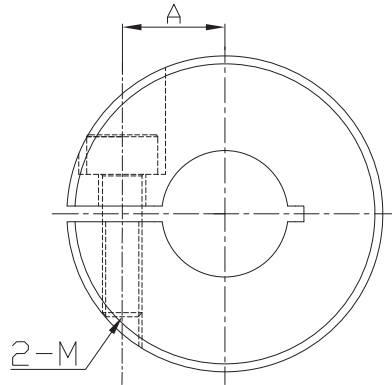
### RSCS



- Light, very low inertial and high sensibility.
- Maintenance free, super anti-oil and corrosion-resistance.
- Beam type with no allowable offset almost, please show the axis entirely in operating.



\*Ød1&Ød2 tolerance are defined before machining.



Material	Accessories
SUS303	Clamping screw

Dimensions		Ød1&Ød2 selection *Ød1 ≤ Ød2						L	A	T	F	M Rough thread
Model no.	ØD	5	6	8	10	12	14					
RSCS	16	●	●					16	5	1	3.75	2.5
	20		●	●				20	6.5		4.75	
	25			●	●			25	9		6	3
	32				●	●	●	32	11		7.75	4

★Moment of inertial torque and weight calculated by maximum diameter.

Specification		Allowable wrench torque (N·m)	Max. RPM (r/min <sup>-1</sup> )	★ Moment of inertia (kg·m <sup>2</sup> )	Screw fixing torque (N·m)	★ Weight (g)
Model no.	ØD					
RSCS	16	0.3	9500	8.0*10 <sup>-7</sup>	1	22
	20	0.5	7600	2.4*10 <sup>-6</sup>		41
	25	1	6100	7.3*10 <sup>-6</sup>	1.5	80
	32	2	4800	2.5*10 <sup>-5</sup>	2.5	160

Ordering Example: RSCS20 - 6 - 8 - 100 PCS  
 Model no. Ød1 Ød2 Q'ty