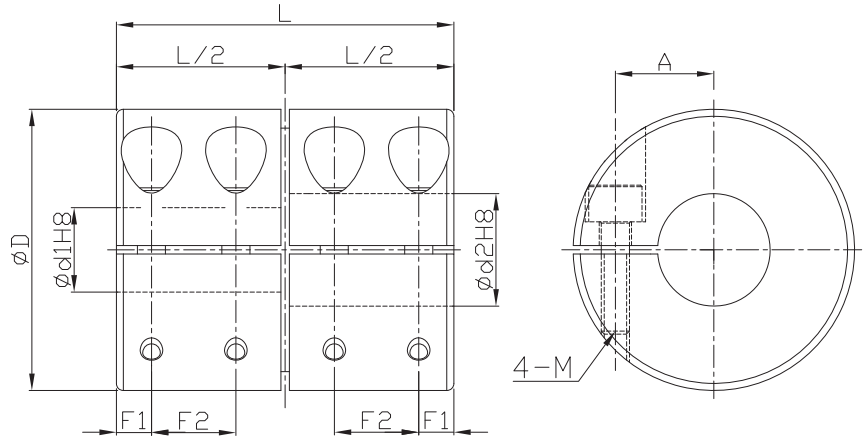


RSCL



- Light, very low inertial and high sensibility.
- Maintenance free, super anti-oil and corrosion-resistance.
- Beam type with no allowable offset almost, please show the axis entirely in operating.



*Ød1&Ød2 tolerance are defined before machining.

| Material | Accessories |
|----------|----------------|
| SUS303 | Clamping screw |

| Dimensions | | Ød1&Ød2 selection *Ød1 ≤ Ød2 | | | | | | L | A | F1 | F2 | M | |
|------------|----|------------------------------|---|---|----|----|----|----|----|-----|-----|----|-----|
| Model no. | ØD | 5 | 6 | 8 | 10 | 12 | 14 | | | | | | |
| RSCL | 16 | • | • | | | | | 22 | 5 | 2.5 | 5.5 | 2 | |
| | 20 | | • | • | | | | 24 | 7 | | 6 | | |
| | 25 | | | | • | • | | | 36 | 9 | 4.5 | 9 | 2.5 |
| | 32 | | | | | • | • | • | 40 | 11 | 4 | 10 | 3 |

★Moment of inertial torque and weight calculated by maximum diameter.

| Specification | | Allowable wrench torque (N·m) | Max. RPM (r/min ⁻¹) | ★ Moment of inertia (kg·m ²) | Screw fixing torque (N·m) | ★ Weight (g) |
|---------------|----|-------------------------------|---------------------------------|--|---------------------------|--------------|
| Model no. | ØD | | | | | |
| RSCL | 16 | 0.3 | 9000 | 8.9*10 ⁻⁷ | 0.5 | 25 |
| | 20 | 0.5 | 7000 | 2.5*10 ⁻⁶ | | 45 |
| | 25 | 1 | 6000 | 9.2*10 ⁻⁶ | 1 | 100 |
| | 32 | 2 | 4500 | 2.7*10 ⁻⁵ | 1.5 | 180 |

Ordering Example: RSCL25 - 8 - 10 - 100 PCS
 Model no. Ød1 Ød2 Q'ty