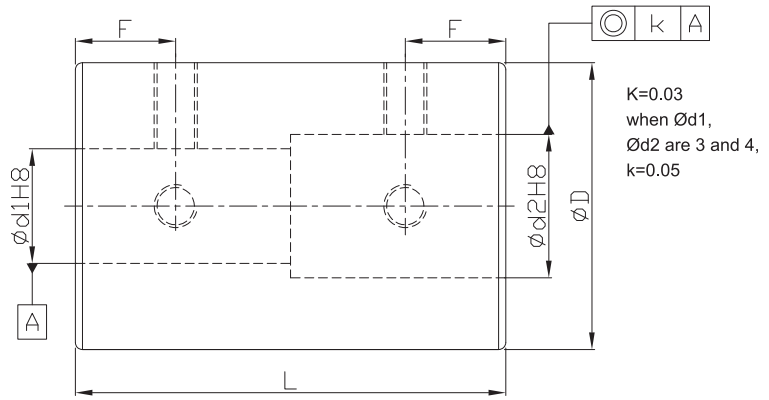


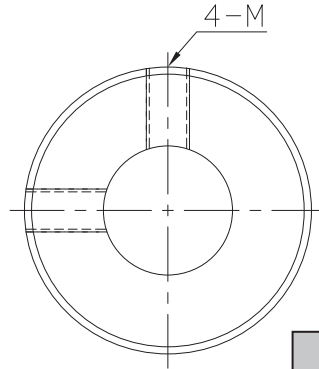
RAM



- Light, very low inertial and high sensibility.
- Maintenance free, super anti-oil and corrosion-resistance.



*When $\text{Ød1} < 4$ and $\text{Ød2} > 5$, there would be 3 set screws.
 *When Ød1 and Ød2 both smaller than 4, there would be 2 set screws.



Material	Surface finish	Accessories
Aluminum Alloy	Anodized	Set screw

Dimensions		Ød1&Ød2 selection *Ød1 ≤ Ød2													L	F	M Rough thread
Model no.	ØD	3	4	5	6	8	10	11	12	14	15	16	18	20			
RAM	16	•	•	•	•										24	6	3
	20			•	•	•	•								30	7	
	25					•	•	•	•						36	9	4
	32								•	•	•	•			41	10	
	40										•	•	•	•	44	10.5	

★ Moment of inertial torque and weight calculated by maximum diameter.

Specification		Allowable wrench torque (N·m)	Max. RPM (r/min ⁻¹)	★ Moment of inertia (kg·m ²)	Screw fixing torque (N·m)	★ Weight (g)
Model no.	ØD					
RAM	16	0.3	24000	4.4*10 ⁻⁷	0.7	11
	20					
	25	39				
	32	71				
	40	4	4000	1.5*10 ⁻⁵	4	120

Ordering Example: RAM20 - 6 - 8 - 100 PCS
 Model no. Ød1 Ød2 Q'ty