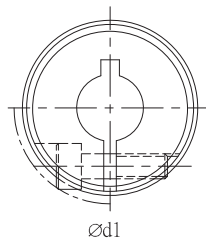
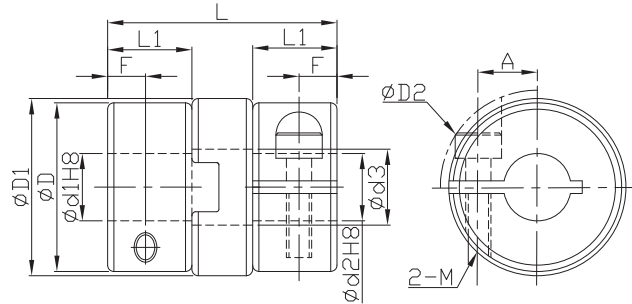


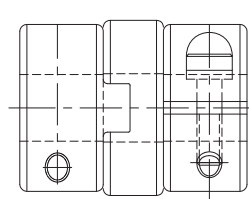
FSCG



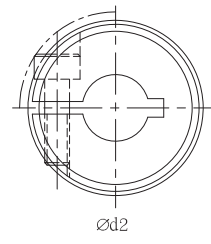
- Offset of angular, parallel, or axial deviation are individual allowed value, so couple reasons of axial offset appearing at same time would reduce the unit allowable value.
- Suit for high wrench torque, high rotation.
- In case of parallel deviation over 0.1, abrasion of the insert is direct ration to load torque, offset, and rotation numbers.
- Available options for key way per inner diameter is bigger than 6mm. (Refer to page 38)



Ød1



FSMGLK (key way Ød1 side)
FSMGRK (key way Ød2 side)



Ød2

FSMGWK (key way Ød1 and Ød2 side)

| Component | Material | Accessories |
|------------|--|----------------|
| Main frame | SUS304 Alloy | Clamping screw |
| Spacer | Aluminum bronze(filled with Solid lubricant) | |

| Dimensions | Ød1&Ød2 selection *Ød1 ≤ Ød2 | | | | | | | | | | | | | | | | ØD | ØD1 | ØD2 | Ød3 | L | L1 | A | F | Clamping screw | |
|------------|------------------------------|---|---|---|------|---|---|-------|----|----|----|----|----|----|----|----|------|------|-----|-----|------|------|------|-----|----------------|-------------------|
| | Model no. | 4 | 5 | 6 | 6.35 | 7 | 8 | 9.525 | 10 | 11 | 12 | 14 | 15 | 16 | 18 | 20 | | | | | | | | | M | Lock torque (N·m) |
| FSCG | 15 | ● | ● | ● | | | | | | | | | | | | | 14.5 | 15 | 16 | 7.2 | 18.4 | 6.6 | 4.5 | 3.2 | 2.5 | 1.0 |
| | 17 | | ● | ● | ● | | | | | | | | | | | | 16.8 | 17.5 | 19 | 8.2 | 24.4 | 9 | 5 | 4 | 3 | 1.8 |
| | 20 | | | ● | ● | ● | ● | ● | ● | | | | | | | | 20 | 21 | 23 | 9 | 27.2 | 10 | 7 | 4.5 | | |
| | 26 | | | ● | ● | ● | ● | ● | ● | ● | ● | | | | | | 26 | 27 | 29 | 12 | 30.4 | 11.5 | 8.4 | 5 | 4 | 3.0 |
| | 30 | | | | | ● | | | ● | ● | ● | ● | | | | | 30 | 31 | 32 | 14 | 33 | 12 | 9 | | 4 | 4.5 |
| | 34 | | | | | | | | ● | ● | ● | ● | ● | ● | | | 34 | 35 | 37 | 17 | 34 | 13 | 11 | 6 | | |
| | 38 | | | | | | | | ● | ● | ● | ● | ● | ● | ● | ● | 38 | 41 | 41 | 17 | 39.5 | 15 | 13.7 | 7 | 5 | 8.0 |

★ Moment of inertial torque and weight calculated by maximum diameter.

| Specification | Model no. | ØD | Allowable wrench torque (N·m) | Allowable misalignment | | | Static torsional stiffness (N·m/rad) | Max. RPM (r/min ⁻¹) | ★ Moment of inertia (kg·m ²) | ★ Weight (g) |
|---------------|-----------|----|-------------------------------|------------------------|---------------|------------|--------------------------------------|---------------------------------|--|--------------|
| | | | | Angular (°) | Parallel (mm) | Axial (mm) | | | | |
| FSCG | 15 | 3 | 1.5 | 1.5 | 0.5 | ±0.1 | 800 | 8000 | 6*10 ⁻⁷ | 17 |
| | 17 | 5 | | | 0.5 | ±0.1 | 1000 | 7000 | 1.2*10 ⁻⁶ | 30 |
| | 20 | 7 | | | 0.5 | ±0.1 | 2200 | 6000 | 3*10 ⁻⁶ | 48 |
| | 26 | 10 | | | 0.8 | ±0.2 | 4000 | 5000 | 1*10 ⁻⁵ | 90 |
| | 30 | 30 | | | 1 | ±0.3 | 5500 | 5000 | 2.5*10 ⁻⁵ | 120 |
| | 34 | 32 | | | 1 | ±0.2 | 8000 | 4000 | 4*10 ⁻⁵ | 172 |
| | 38 | 50 | | | 1 | ±0.3 | 11000 | 4000 | 1*10 ⁻⁴ | 246 |

Ordering Example: FSCG26 - 10 - 12 - 100 PCS
 Model no. Ød1 Ød2 Q'ty